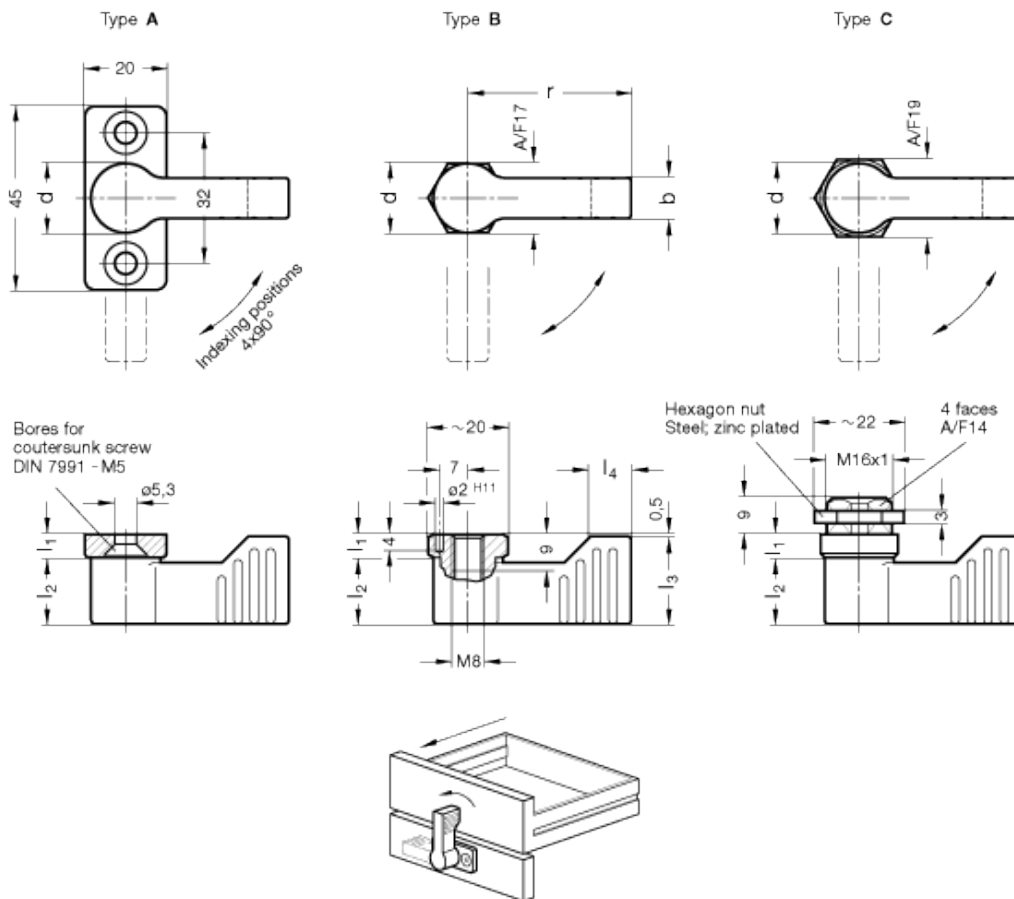


GN 702

Stop locks



technical informations

Latch

Zinc alloy die-cast.

Latch colour

- Version SW: RAL 9005 black, matte finish, epoxy resin coating.
- Version RS: RAL 3000 red, matte finish, epoxy resin coating.

Fastening flange

Zinc alloy die-cast, black, RAL 9005, matte finish, epoxy resin coating.

Indexing mechanism

- Steel / Plastic, Steel parts zinc plated, blue passivated (type A and B).
- Zinc alloy die cast / Plastic (type C).

Standard versions available

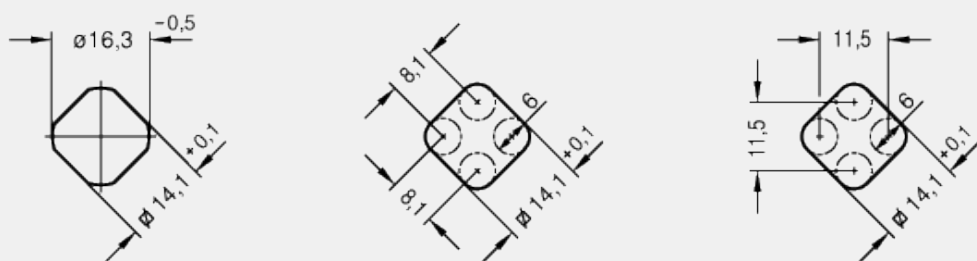
- Type A: with flange for surface mounting.
- Type B: with female thread.
- Type C: with male thread.

Assembly instructions

Stop locks GN 702 type C have the same connecting dimensions as the mini locks [GN 115.1](#). The mounting bores are to be selected and asset accordingly.

In standard production, the mounting bore holes are usually made by punching or with laser. The sheet metal punch [GN 123](#) is recommended for small series and sheet metal with a thickness of below 2 mm.

The mounting bore holes can also be made by drilling / milling.



Standard Elements	Main dimensions							Weight
	Description	d	r	b	$l_1 \approx$	l_2	$l_3 \text{ min.}$	
GN 702-17-40-A-SW	17	40	10	5.5	16.5	21.5	11	80
GN 702-17-40-A-RS	17	40	10	5.5	16.5	21.5	11	80
GN 702-17-40-B-SW	17	40	10	5.5	16.5	21.5	11	57
GN 702-17-40-B-RS	17	40	10	5.5	16.5	21.5	11	57
GN 702-17-40-C-SW	17	40	10	5.5	16.5	21.5	11	69
GN 702-17-40-C-RS	17	40	10	5.5	16.5	21.5	11	69
GN 702-17-55-A-SW	17	55	10	5.5	16.5	21.5	11	80
GN 702-17-55-A-RS	17	55	10	5.5	16.5	21.5	11	80
GN 702-17-55-B-SW	17	55	10	5.5	16.5	21.5	11	57
GN 702-17-55-B-RS	17	55	10	5.5	16.5	21.5	11	57
GN 702-17-55-C-SW	17	55	10	5.5	16.5	21.5	11	69
GN 702-17-55-C-RS	17	55	10	5.5	16.5	21.5	11	69



STANDARD MACHINE ELEMENTS WORLDWIDE