



## Precision pressure regulator

Size 1

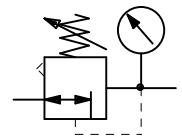
**FU 74XX**

**FU 75XX**

G 1/4

G 3/8

0.1 to 1.0 bar  
0.1 to 2.0 bar  
0.2 to 4.0 bar  
0.5 to 8.0 bar  
0.5 to 10.0 bar



### Description

**Precision pressure regulator** in the »FUTURA« series.

Precision pressure regulators facilitate a very fine pressure setting and guarantee a precise supply with the required working pressure.

**These controllers are only allowed to be used with micro-filtered media (filter rating 0.01 µm).**

### Characteristics

Type	FU 74XX	FU 75XX
Port (thread)	G 1/4	G 3/8
Type of construction	- Diaphragm pressure regulator with self-relieving design	
Medium	Compressed air, neutral gases	
Mounting position	Any	
Temperature Medium / ambient	Max. 50 °C	
Input pressure Pin	Max. 16 bar	
Control range (output pressure)	0.1 to 1.0 bar 0.1 to 2.0 bar 0.2 to 4.0 bar 0.5 to 8.0 bar 0.5 to 10.0 bar	
Weight	0.270 without pressure gauge / 0.340 with pressure gauge	
Internal air consumption	2.6 l/min at P2 = 6 bar	
Mounting type	Bracket, wall mounting	

### Materials

Part	Material:
Spring bonnet / adjusting knob	POM
Head piece	Grivory®
Diaphragm	Brass-NBR-PA6
Valve cone	Brass-NBR
O-ring 32x2.5	NBR
Cover (bottom screw)	POM
Thread base plate	Die-cast zinc

### Ordering information

- The pressure regulators are delivered in single packs.
- Pressure gauge incl. in scope of supply.

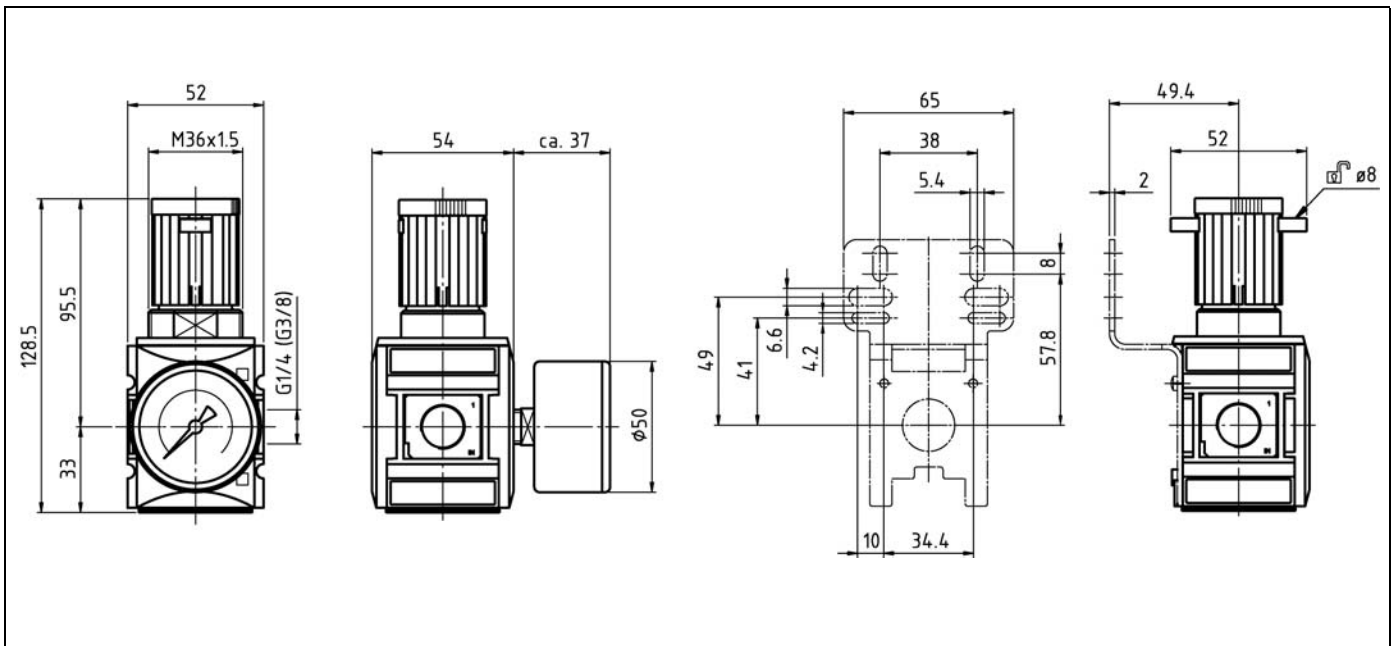
## Accessories

Designation	Art. No.
Mounting bracket, incl. screws	H 850
Joiner set with wall bracket	WK 100
Joiner set	KP 100
Panel nut	FU 11-55
Key lock	SS 32

## Spare parts

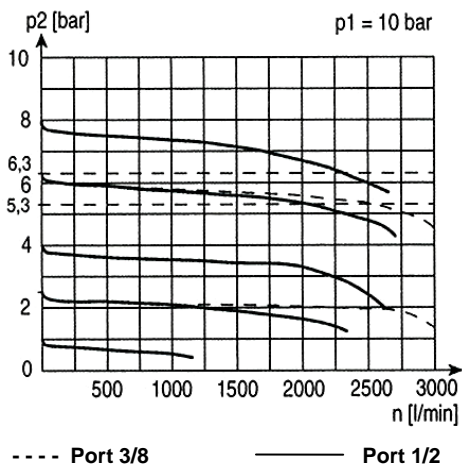
Designation	Art. No.
Set of seals	22.7410.4

## Dimensions



## Flow rates

## Flow characteristic



## Hysteresis

