

FU 7604

Precision pressure regulating valve

For mounting side by side
Continuous pressure supply

Size 2

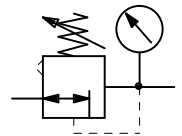
>FU 77XX<

G 3/8

0.1 to 1.0 bar
0.1 to 2.0 bar
0.2 to 4.0 bar
0.5 to 8.0 bar
0.5 to 10.0 bar

>FU 77XX<

G 1/2



Description

Precision pressure regulating valve in the "Futura" series.

Precision pressure regulating valves facilitate a very fine pressure setting and guarantee a precise supply with the required working pressure.

In combination with two or more controllers with a **common** compressed air supply, they permit **individual control** of several separate working circuits.

The valve can be supplied at both ends (left and right-hand entry).

The controllers are only allowed to be used with micro-filtered media (filter rating 0.01 µm).

Characteristics

Type	FU 77XX	FU 77XX
Port (thread)	G 3/8	G 1/2
Type of construction	Diaphragm pressure regulator with self-relieving design	
Medium	Compressed air, neutral gases	
Mounting position	Any	
Medium and ambient temperature	Max. 50°C	
Input pressure Pin	Max. 16 bar	
Own air consumption	2.6 l/min	
Control range (output pressure)	0.1 to 1.0 bar / 0.1 to 2.0 bar / 0.2 to 4.0 bar / 0.5 to 8.0 bar / 0.5 to 10.0 bar / 0.5 to 16.0 bar	
Mounting type	Bracket, wall mounting	
Weight [kg]	0.540 without pressure gauge / 0.610 with pressure gauge	

Materials

Part	Material
Spring bonnet / adjusting knob / cover (bottom screw)	POM
Head piece	Grivory®
Diaphragm	Brass-NBR-PA6
Valve cone	Brass-NBR
O-ring 32x2.5	NBR
Thread base plate	Die-cast zinc

Ordering information

- The pressure regulating valves are delivered in single packs
- Pressure gauge included

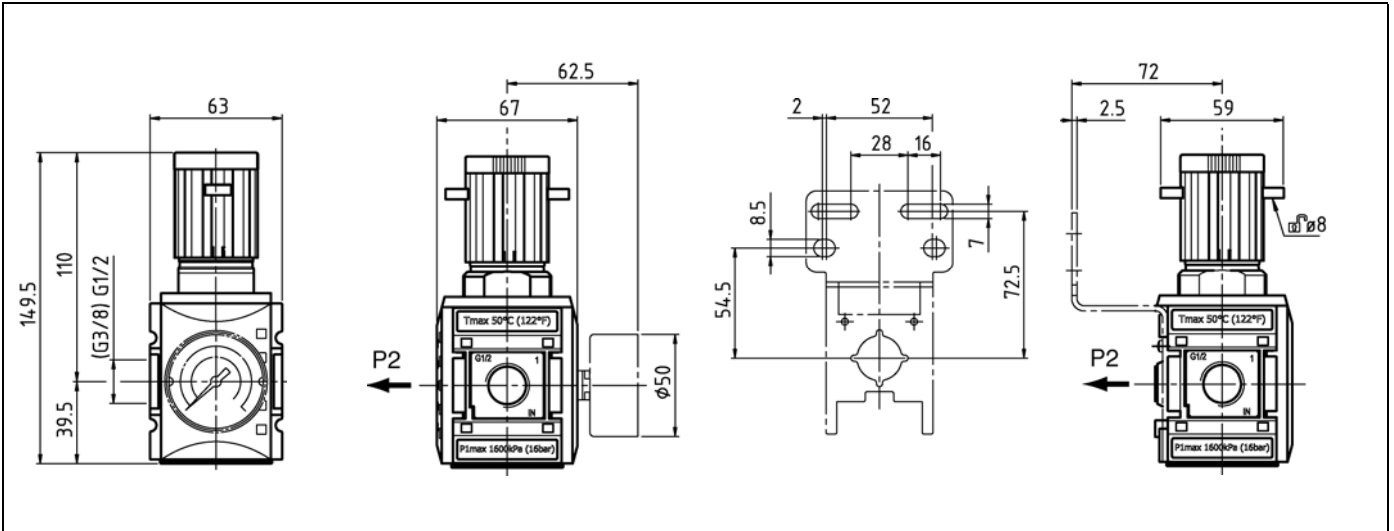
Accessories

Designation	Art. No.
Mounting bracket, incl. screws	H 852
Joiner set with wall bracket	WK 102
Joiner set	KP 200
Panel nut	FU 33-55
Key lock	SS 32

Spare parts

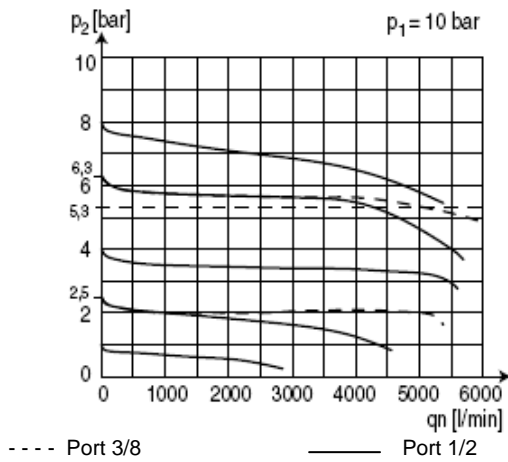
Designation	Art. No.
Set of seals	22.7548.4

Dimensions

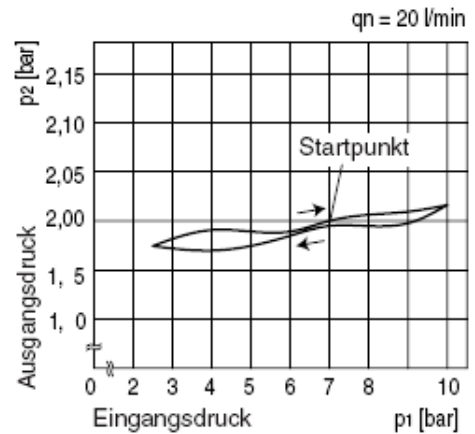


Flow rates

Flow characteristics



Hysteresis



Typical application

