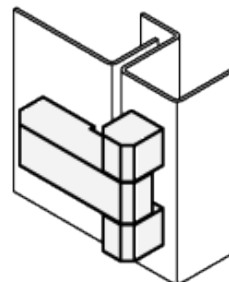
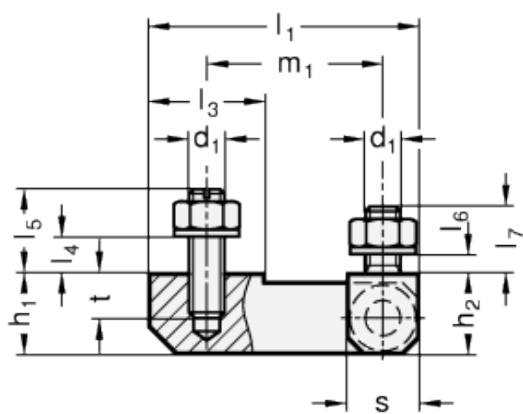
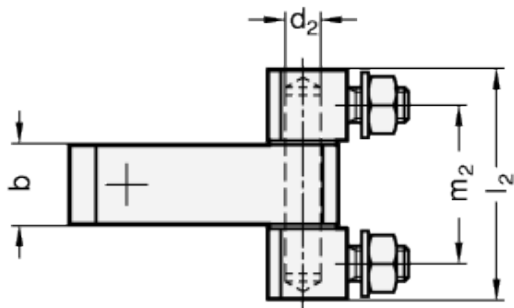


GN 129.2-A4

Hinges



INOX
Stainless Steel



technical informations
Body, Pin, Washer
AISI 316 Stainless Steel A4.

Hexagon nuts ISO 4032

AISI 304 Stainless Steel.

Serrated washer DIN 6797

For securing screws, AISI 304 Stainless Steel.

Standard version available

- Type C: Fixing from the back side.

Features and applications

Hinges GN 129.2 are use for doors which are flush with the frame on the outside. Once assembled, they cannot be unhinged. With the fixing from the inside, they are especially suitable for doors and trap doors which must not be detachable from the outside as an anti-tamper device.

Standard Elements	Main dimensions																Weight
Description	l ₁	l ₂	b	d ₁	d ₂	h ₁	h ₂	l ₃	l _{4 max.}	l ₅	l _{6 max.}	l ₇	m ₁	m ₂	s	t	g
GN 129.2-45-40-C-A4	45	40	13	M6	6	13	13.5	18	6	11	5	10	30	28.2	12	9	100
GN 129.2-50-51-C-A4	50	51	18	M8	8	18	18	26	8	14	8	14	29	35	16	11	214



STANDARD MACHINE ELEMENTS WORLDWIDE