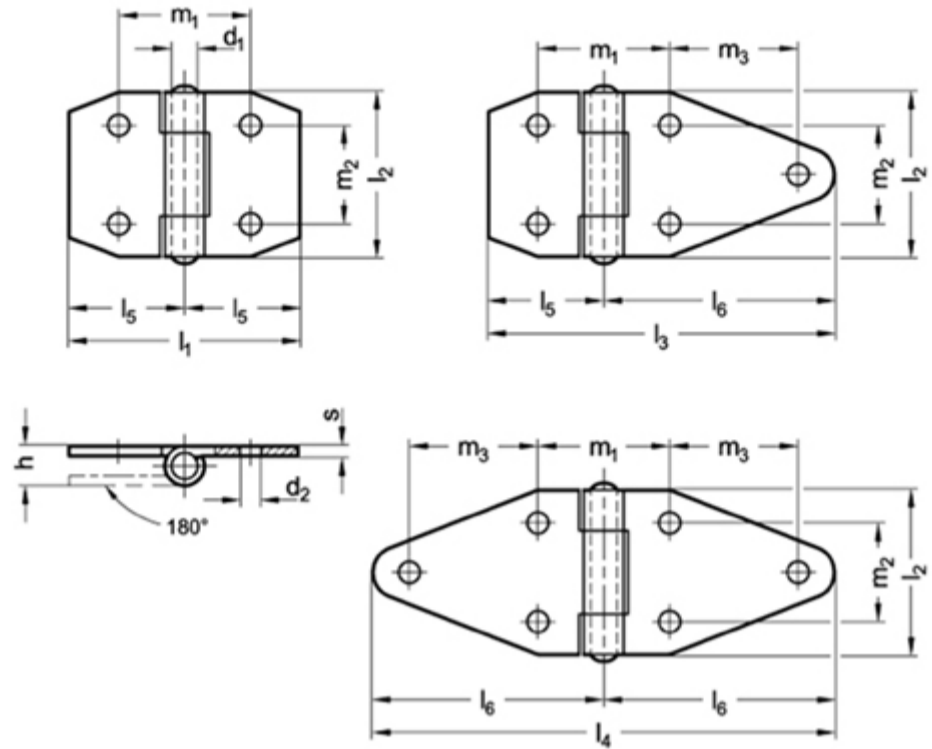



GN 1364

Stainless Steel-Sheet metal hinges

pointed



	l1	l3	l4	l2	d1	d2	h	l5	l6	m1	m2	m3	s	
Description														
GN 1364-NI-70-50-B-BL	70	-	-	50	6	6.5	12	35	-	42	30	-	3	110
GN 1364-NI-105-50-B-BL	-	105	-	50	6	6.5	12	35	70	42	30	39	3	128
GN 1364-NI-140-50-B-BL	-	-	140	50	6	6.5	12	-	70	42	30	39	3	133



Specification

Type

- Type **B**: with through-holes

Stainless Steel **NI**

- AISI 304
- blank **BL**

Pin

- Stainless Steel AISI 304
- riveted

Information

Pointed Stainless Steel-Sheet metal hinges GN 1364 are characterized by their compact and universal dimensioning as well as their attractively shaped design. The materials used also permit applications in aggressive environments. Type B is fastened via the existing through-holes using screws or rivets.

Technical information

- [Stainless Steel characteristics](#)
- [Load rating information of hinges](#)

On request

- without bores
- with countersunk holes
- other surface types