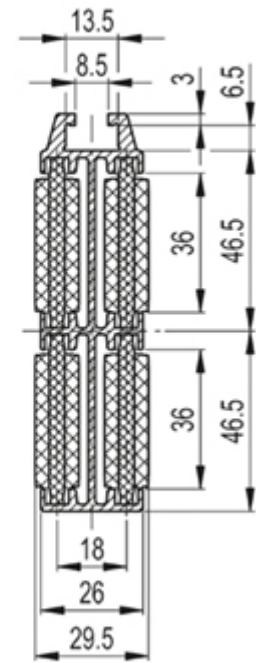
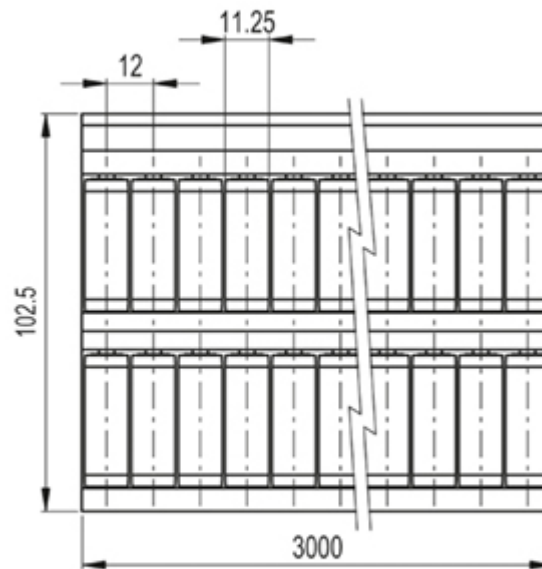
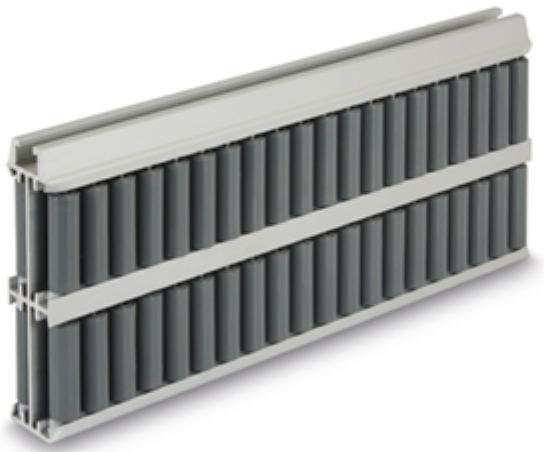


GCA-4

Roller central guides

Technopolymer, aluminium, stainless steel



| Code | Description | | | |
|--------|-------------------|-------|---|---|
| 419132 | GCA-4-RC-103-3000 | 13040 |  |  |

Main specifications

Body

Anodised aluminium, natural colour, matte finish.

Pins support

Acetal resin based (POM) technopolymer, white colour.

Pins

AISI 304 stainless steel.

Rollers

Polyethylene based (PE) technopolymer, grey colour.

Standard executions

- GCA-4-RS: with spherical contact rollers.
- GCA-4-RC: with cylindrical contact rollers.
- GCA-4-RT: with round contact rollers.

General information

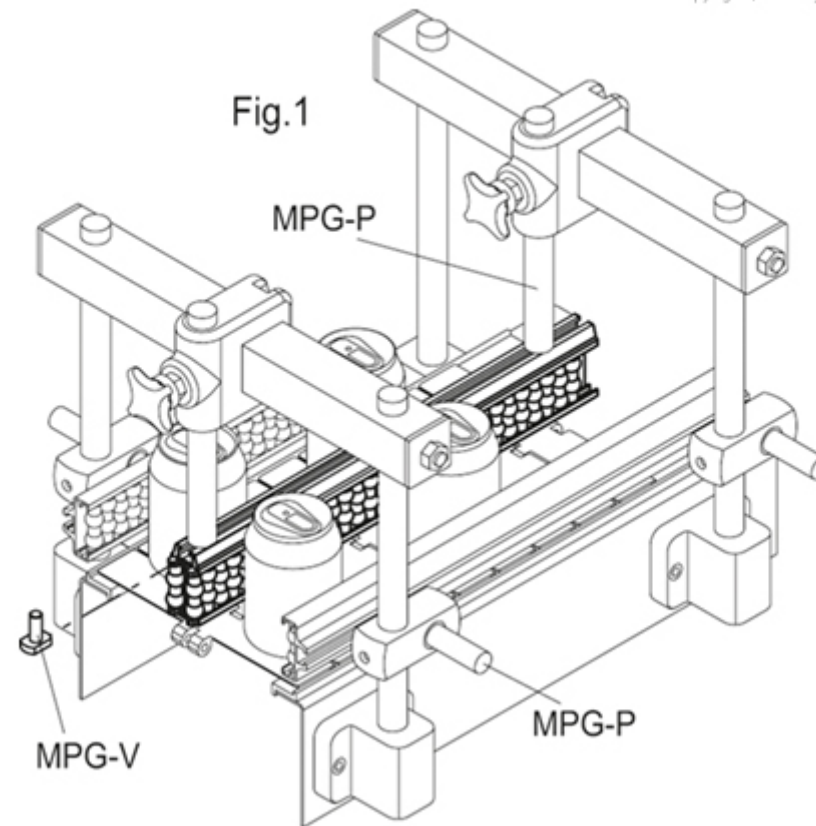
Features and applications

GCA-4 central guides are self-supporting structures for the side guide of products with important vertical dimensions on conveyor belts (Fig.1).

Depending on the product to transport, it is recommended to use:

- GCA-4-RS: for the guide of products in cans or in plastic containers;
- GCA-4-RC: for the guide of cardboard products, for a greater fluency;
- GCA-4-RT: for the guide of glass products, in case of accidental breakage they facilitate the expulsion of debris.

Supplied assembled in bars of 3 meters length.



Other executions

Special executions on request

- Central guides with rollers in different colours.
- Central guides with pins in acetal resin based (POM) technopolymer.

Accessories

Accessories on request

- BDG: zinc-plated steel connecting bar for guides.
- PGC-4: separation block for central guide.
- MPG-P: assembly pin.
- MPG-V: hammer head screw (see GLA-1).