

Magnetic stand for modular systems for lubrication, technopolymer

BODY

Polyamide based (PA) technopolymer, black colour.

MAGNETIC BASE

Ferrite retaining magnet

CAP AND FITTING

Nickel-plated brass.

FEATURES

The stand allows you to use up to two 1/4" segments simultaneously; the magnet integrated in the structure allows the system to be anchored in multiple positions, also facilitating repeated movements. Fluid can enter the system via the barbed fitting to be coupled with an external tube, for a better seal, the use of tightening bands is recommended.

The magnetic stand can also be used with 1/2" systems by means of a threaded adapter which can be purchased.

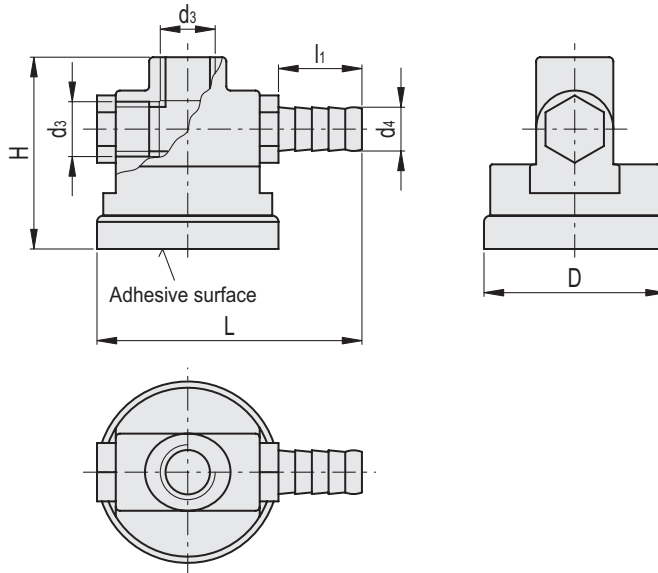
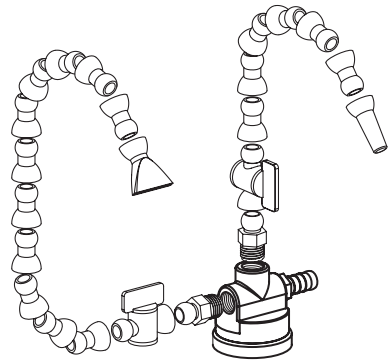
See Modular systems for lubrication (on page -).

CHEMICAL COMPATIBILITY

Material resistant to detergents, lubricants and oils, avoid contact with strong acids and bases.

To use fluids other than those listed, contact Eles+Ganter's technical department.

In any case we suggest to verify the suitability of the product under the actual working conditions.



Code	Description	D	L	H	d3	d4	li	For modular system	⚖
471251	FHB.1/4	42	63.5	40	G 1/4	10.5	20	1/4	126