

Adjustable hand levers

with releasing button, zinc die casting, bushing / threaded stud steel zinc plated

SPECIFICATION

- 1 Handle
- 2 Zinc die casting
- 3 Plastic coated
- 4 black, RAL 9005, textured finish **SW**
- 5 Releasing button
- 6 Plastic
- 7 black, RAL 9005 **S**
- 8 orange, RAL 2004 **O**
- 9 gray, RAL 7035 **G**
- 10 Bushing, Steel
- 11 zinc plated, blue passivated
- 12 Threaded stud, Steel
- 13 zinc plated, blue passivated



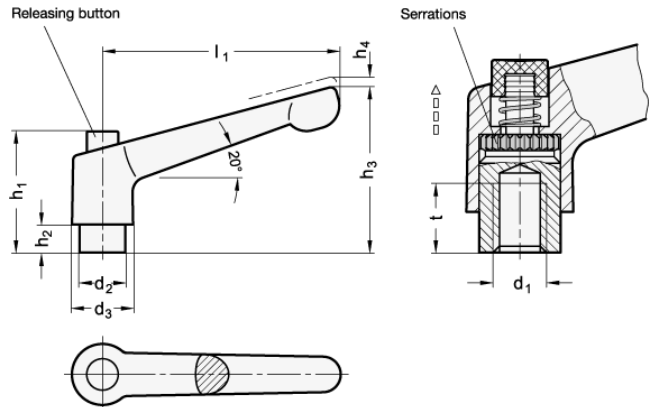
INFORMATION

Adjustable hand levers GN 303.2 are ideal whenever parts have to be clamped in a confined space or in a particular lever position. The centre insert is connected to the lever via serrations which can easily be disengaged.

The releasing button is a design element that offers an easy disengagement. Its use is limited to applications where dismantling of the lever for installation is not required.

ON REQUEST

- Handle in colors of GN 300 (see page 320)



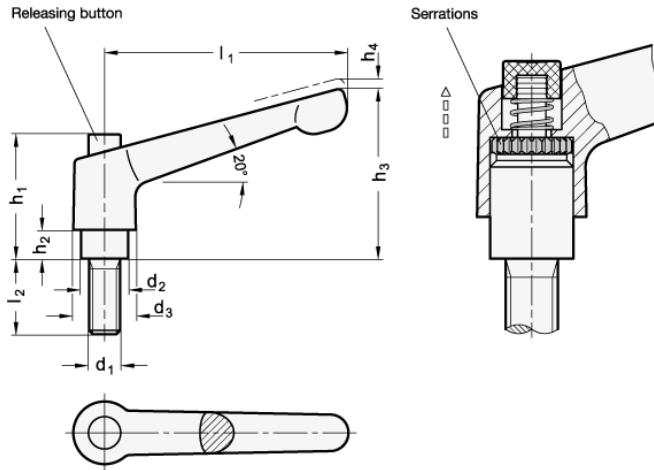
* Complete with colour index of the Push button (S, O or G)



GN 303.2-with threaded insert

Description	l1	d1	d2	d3	h1	h2	h3	h4	t min.	⚖
GN 303.2-30-M4-SW-*	30	M 4	10	13	26.5	4	31	3.5	9	26
GN 303.2-30-M5-SW-*	30	M 5	10	13	26.5	4	31	3.5	9	25
GN 303.2-30-M6-SW-*	30	M 6	10	13	26.5	4	31	3.5	9	24
GN 303.2-45-M4-SW-*	45	M 4	10	13	26.5	4	35	3.5	9	38
GN 303.2-45-M5-SW-*	45	M 5	10	13	26.5	4	35	3.5	9	37
GN 303.2-45-M6-SW-*	45	M 6	10	13	26.5	4	35	3.5	9	36
GN 303.2-63-M6-SW-*	63	M 6	13.5	17.5	32.5	6.5	45	4	11	32
GN 303.2-63-M8-SW-*	63	M 8	13.5	17.5	32.5	6.5	45	4	11	30
GN 303.2-78-M10-SW-*	78	M 10	16	21	37.5	8	55	4	14	83
GN 303.2-78-M8-SW-*	78	M 8	16	21	37.5	8	55	4	14	107

Weight type G



* Complete with colour index of the Push button (S, O or G)



GN 303.2-with threaded stud

Description	l1	d1	l2	d2	d3	h1	h2	h3	h4	Δ
GN 303.2-30-M4-12-SW.*	30	M 4	12	10	13	26.5	4	31	3.5	27
GN 303.2-30-M4-16-SW.*	30	M 4	16	10	13	26.5	4	31	3.5	27
GN 303.2-30-M4-20-SW.*	30	M 4	20	10	13	26.5	4	31	3.5	27
GN 303.2-30-M4-25-SW.*	30	M 4	25	10	13	26.5	4	31	3.5	28
GN 303.2-30-M4-32-SW.*	30	M 4	32	10	13	26.5	4	31	3.5	28
GN 303.2-30-M5-12-SW.*	30	M 5	12	10	13	26.5	4	31	3.5	27
GN 303.2-30-M5-16-SW.*	30	M 5	16	10	13	26.5	4	31	3.5	28
GN 303.2-30-M5-20-SW.*	30	M 5	20	10	13	26.5	4	31	3.5	28
GN 303.2-30-M5-25-SW.*	30	M 5	25	10	13	26.5	4	31	3.5	29
GN 303.2-30-M5-32-SW.*	30	M 5	32	10	13	26.5	4	31	3.5	28
GN 303.2-30-M5-40-SW.*	30	M 5	40	10	13	26.5	4	31	3.5	29
GN 303.2-30-M5-50-SW.*	30	M 5	50	10	13	26.5	4	31	3.5	32
GN 303.2-30-M6-12-SW.*	30	M 6	12	10	13	26.5	4	31	3.5	18
GN 303.2-30-M6-16-SW.*	30	M 6	16	10	13	26.5	4	31	3.5	28
GN 303.2-30-M6-20-SW.*	30	M 6	20	10	13	26.5	4	31	3.5	29
GN 303.2-30-M6-25-SW.*	30	M 6	25	10	13	26.5	4	31	3.5	30
GN 303.2-30-M6-32-SW.*	30	M 6	32	10	13	26.5	4	31	3.5	31
GN 303.2-30-M6-40-SW.*	30	M 6	40	10	13	26.5	4	31	3.5	33
GN 303.2-30-M6-50-SW.*	30	M 6	50	10	13	26.5	4	31	3.5	37
GN 303.2-45-M4-12-SW.*	45	M 4	12	10	13	26.5	4	35	3.5	39
GN 303.2-45-M4-16-SW.*	45	M 4	16	10	13	26.5	4	35	3.5	37
GN 303.2-45-M4-20-SW.*	45	M 4	20	10	13	26.5	4	35	3.5	39
GN 303.2-45-M4-25-SW.*	45	M 4	25	10	13	26.5	4	35	3.5	40
GN 303.2-45-M4-32-SW.*	45	M 4	32	10	13	26.5	4	35	3.5	40
GN 303.2-45-M5-12-SW.*	45	M 5	12	10	13	26.5	4	35	3.5	39
GN 303.2-45-M5-16-SW.*	45	M 5	16	10	13	26.5	4	35	3.5	40
GN 303.2-45-M5-20-SW.*	45	M 5	20	10	13	26.5	4	35	3.5	40
GN 303.2-45-M5-25-SW.*	45	M 5	25	10	13	26.5	4	35	3.5	41
GN 303.2-45-M5-32-SW.*	45	M 5	32	10	13	26.5	4	35	3.5	42
GN 303.2-45-M5-40-SW.*	45	M 5	40	10	13	26.5	4	35	3.5	43
GN 303.2-45-M5-50-SW.*	45	M 5	50	10	13	26.5	4	35	3.5	44
GN 303.2-45-M6-12-SW.*	45	M 6	12	10	13	26.5	4	35	3.5	30
GN 303.2-45-M6-16-SW.*	45	M 6	16	10	13	26.5	4	35	3.5	40
GN 303.2-45-M6-20-SW.*	45	M 6	20	10	13	26.5	4	35	3.5	41

GN 303.2-with threaded stud

Description	l1	d1	l2	d2	d3	h1	h2	h3	h4	Δ
GN 303.2-45-M6-25-SW.*	45	M 6	25	10	13	26.5	4	35	3.5	42
GN 303.2-45-M6-32-SW.*	45	M 6	32	10	13	26.5	4	35	3.5	43
GN 303.2-45-M6-40-SW.*	45	M 6	40	10	13	26.5	4	35	3.5	43
GN 303.2-45-M6-50-SW.*	45	M 6	50	10	13	26.5	4	35	3.5	45
GN 303.2-63-M6-16-SW.*	63	M 6	16	13.5	17.5	32.5	6.5	45	4	36
GN 303.2-63-M6-20-SW.*	63	M 6	20	13.5	17.5	32.5	6.5	45	4	37
GN 303.2-63-M6-25-SW.*	63	M 6	25	13.5	17.5	32.5	6.5	45	4	38
GN 303.2-63-M6-32-SW.*	63	M 6	32	13.5	17.5	32.5	6.5	45	4	39
GN 303.2-63-M6-40-SW.*	63	M 6	40	13.5	17.5	32.5	6.5	45	4	41
GN 303.2-63-M6-50-SW.*	63	M 6	50	13.5	17.5	32.5	6.5	45	4	42
GN 303.2-63-M6-63-SW.*	63	M 6	63	13.5	17.5	32.5	6.5	45	4	44
GN 303.2-63-M8-16-SW.*	63	M 8	16	13.5	17.5	32.5	6.5	45	4	39
GN 303.2-63-M8-20-SW.*	63	M 8	20	13.5	17.5	32.5	6.5	45	4	40
GN 303.2-63-M8-25-SW.*	63	M 8	25	13.5	17.5	32.5	6.5	45	4	42
GN 303.2-63-M8-32-SW.*	63	M 8	32	13.5	17.5	32.5	6.5	45	4	44
GN 303.2-63-M8-40-SW.*	63	M 8	40	13.5	17.5	32.5	6.5	45	4	46
GN 303.2-63-M8-50-SW.*	63	M 8	50	13.5	17.5	32.5	6.5	45	4	49
GN 303.2-63-M8-63-SW.*	63	M 8	63	13.5	17.5	32.5	6.5	45	4	53
GN 303.2-78-M10-20-SW.*	78	M 10	20	16	21	37.5	8	55	4	124
GN 303.2-78-M10-25-SW.*	78	M 10	25	16	21	37.5	8	55	4	125
GN 303.2-78-M10-32-SW.*	78	M 10	32	16	21	37.5	8	55	4	128
GN 303.2-78-M10-40-SW.*	78	M 10	40	16	21	37.5	8	55	4	132
GN 303.2-78-M10-50-SW.*	78	M 10	50	16	21	37.5	8	55	4	137
GN 303.2-78-M10-63-SW.*	78	M 10	63	16	21	37.5	8	55	4	137
GN 303.2-78-M10-80-SW.*	78	M 10	80	16	21	37.5	8	55	4	152
GN 303.2-78-M8-20-SW.*	78	M 8	20	16	21	37.5	8	55	4	118
GN 303.2-78-M8-25-SW.*	78	M 8	25	16	21	37.5	8	55	4	119
GN 303.2-78-M8-32-SW.*	78	M 8	32	16	21	37.5	8	55	4	122
GN 303.2-78-M8-40-SW.*	78	M 8	40	16	21	37.5	8	55	4	126
GN 303.2-78-M8-50-SW.*	78	M 8	50	16	21	37.5	8	55	4	129
GN 303.2-78-M8-63-SW.*	78	M 8	63	16	21	37.5	8	55	4	133
GN 303.2-78-M8-80-SW.*	78	M 8	80	16	21	37.5	8	55	4	138

Weight type G



Clamping levers