

Stainless Steel- Spacer plates

for hinges GN 7241, GN 7243, GN 7247

SPECIFICATION

Stainless Steel AISI 304 **NI**
matte, ground **MT**

INFORMATION

Tolerances of chamfers, different sheet metal thicknesses or the use of seals could mean that the mounting surfaces of multiple-joint hinges on the frame and door do not have the desired separating distance.

Stainless Steel-Spacer plates GN 7247.2 are designed with appropriate dimensions as accessories for multiple-joint hinges GN 7241 (see page), GN 7243 (see page) and GN 7247 (see page). They allow for adjustment in the third plane during mounting. Shimmed individually or in combination, they provide the desired position or height compensation on the fastening surfaces.

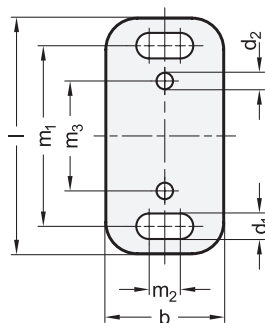
The holes d_2 receive tensioning or positioning pins, if necessary, making it easy to position the spacer plates and the multiple-joint hinges.

TECHNICAL INFORMATION

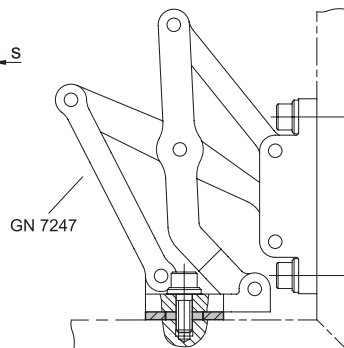
- Stainless Steel characteristics (see page A26)

ON REQUEST

- other plate thicknesses



Mounting example



GN 7247.2

STAINLESS STEEL

Description	l	s	b	d1	d2	m1	m2	m3	△
GN 7247.2-NI-60-0.5-MT	60	0.5	30	6.5	4.2	46	8	28	6
GN 7247.2-NI-60-1-MT	60	1	30	6.5	4.2	46	8	28	12
GN 7247.2-NI-60-2-MT	60	2	30	6.5	4.2	46	8	28	24

